

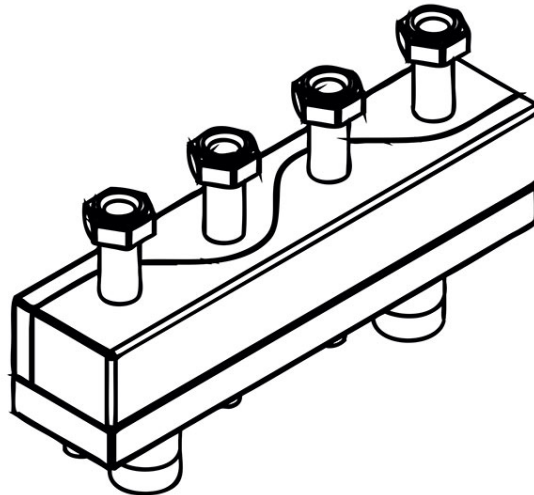
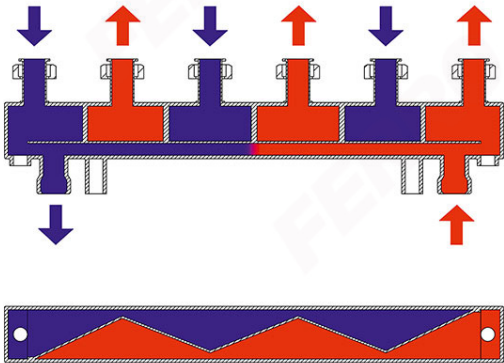
**Code: RSHI**

Hydraulic separator with manifold, insulation, mounting kit

<https://www.ferrocompany.com/product-4382-RSHI.html>

Individual packaging: **1, package with bar code allowing for retail sale**

Collective packaginig: -



- upper connections: 6/4" running nut
- lower connections: 6/4" M, flat gasket
- flow: 3 m<sup>3</sup>/h

Code	Circuits	Individ. pack.	Collect. pack.
RSHI02	2	1	-
RSHI03	3	1	-