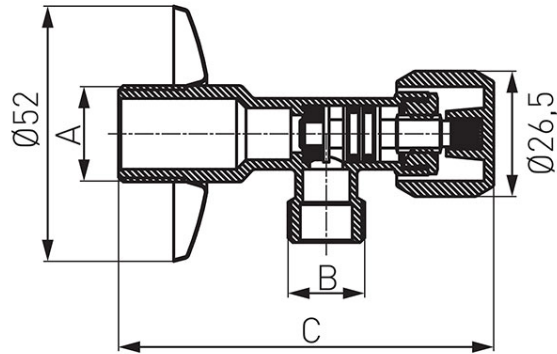


Code: Z12xG

Poppet valve, rosette and metal knob

<https://www.ferrocompany.com/product-4357-Z12xG.html>Individual packaging: **1, package with bar code allowing for retail sale**Collective packaging: **100**

- Utility Valves:
 - water
- nominal pressure: 1.0 MPa (10 bar)
- max. working temperature: 100°C

Index	Size of connectors	A	B	C [mm]	Individ. pack.	Bulk pack.
Z1238G	1/2"x3/8"	G1/2	G3/8	78,5	1	100
Z1212G	1/2"x1/2"	G1/2	G1/2	78,5	1	100
Z1234G	1/2"x3/4"	G1/2	G3/4	78,5	1	100