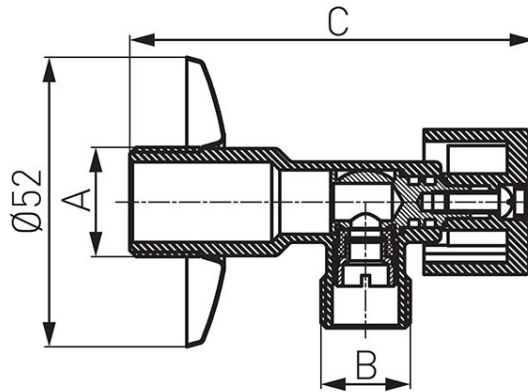


Code: Z12xK

Ball valve with rosette and metal knob

<https://www.ferrocompany.com/product-4355-Z12xK.html>Individual packaging: **1, package with bar code allowing for retail sale**Collective packaging: **100**

- Utility Valves:
 - water
- nominal pressure: 1.0 MPa (10 bar)
- max. working temperature: 100°C

Index	Size of connectors	A	B	C [mm]	Individ. pack.	Bulk pack.
Z1238K	1/2"x3/8"	G1/2	G3/8	75,2	1	100
Z1212K	1/2"x1/2"	G1/2	G1/2	75,2	1	100
Z1234K	1/2"x3/4"	G1/2	G3/4	75,2	1	100