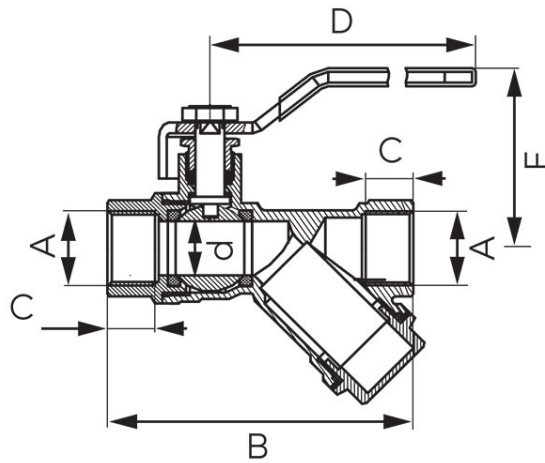


Code: **KZFH**

Herkules ball valve type V17

<https://www.ferrocompany.com/product-4354-KZFH.html>



- 15 years warranty
- NICKEL FREE - all product elements which may have contact with potable water are not covered with nickel
- media valves:
 - water
 - 50% glycol
 - compressed air
- female - female
- with stainless steel filter
- reinforced
- with a gland and double stem seal
- handle: metal lever
- body and ball material: brass
- material of ball and stem seals: PTFE
- nominal pressure: 4,0 MPa (40 bar)
- maximum working temperature: 140°C

Index	Size of connectors	DN	A	B [mm]	C [mm]	D [mm]	d [mm]	E [mm]	Individ. pack.	Bulk pack.	R*
KZFH1	1/2"	15	Rp 1/2	83,5	13	~94	15	49	6	72	KZFH1W
KZFH2	3/4"	20	Rp 3/4	103,5	14,5	~102	20	55	4	36	KZFH2W
KZFH3	1"	25	Rp 1	121	16,8	~116	25	66	4	32	KZFH3W
KZFH4	5/4"	32	RP 1 1/4	143	18	~116	32	71	2	16	-

***R - Product in individual packaging with EAN code enabling retail sale.**