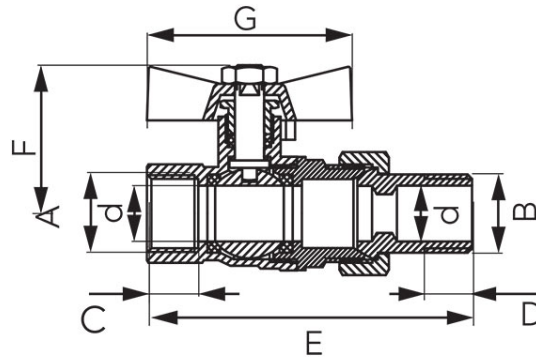


Code: **KSH**

Herkules ball valve type V17

<https://www.ferrocompany.com/product-4353-KSH.html>



- 15 years warranty
- NICKEL FREE - all product elements which may have contact with potable water are not covered with nickel
- media valves:
 - water
 - 50% glycol
 - compressed air
- female - male with full union
- full bore
- reinforced
- with a gland and double stem seal
- handle: metal butterfly
- body and ball material: brass
- material of ball and stem seals: PTFE
- nominal pressure: 4,0 MPa (40 bar)
- maximum working temperature: 140°C

Index	Size of connectors	DN	A	B [mm]	C [mm]	D [mm]	d [mm]	E [mm]	F [mm]	G [mm]	Individ. pack.	Bulk pack.	R*	E*
KSH1	1/2"	15	Rp 1/2	R 1/2	13	13	15	~88	40	~56	8	96	KSH1W	KSH1E
KSH2	3/4"	20	Rp 3/4	R 3/4	14,5	14,5	20	~99	46,5	~66	6	54	KSH2W	KSH2E
KSH3	1"	25	Rp 1	R 1	16,8	17	25	~115	51	~72	6	48	KSH3W	KSH3E

***R - Product in individual packaging with EAN code enabling retail sale.**

***E - Products on euro-slot with barcode enabling retail sale (Eurohanger).**