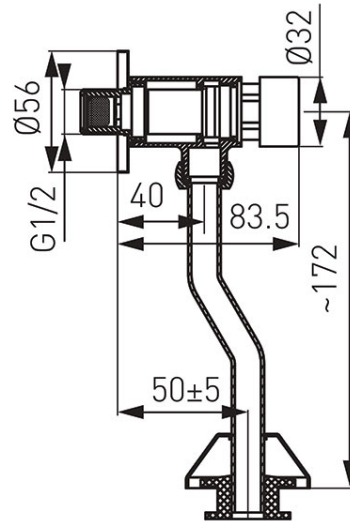


Code: Z211

Urinal valve

<https://www.ferrocompany.com/product-4298-Z211.html>

The Z211 urinal valve based on PN-EN 12541: 2005 classified as a 1.5-liter valve, which means that the valve is destined to supply 1.5 litres of water. It is the most economical of the class in the urinal valve norm.

If this class is maintained, the minimal stream of water volume supplied is of 0.15 l/s.

- Dynamic pressure range recommended for proper operation: $(0,1 \text{ MPa} \leq P \leq 0,4 \text{ MPa})$
- Maximum static pressure: 1 MPa (10 bar)
- Water temperature / recommended temperature: $\leq 25^\circ\text{C}$
- Classification: 1.5-liter valve
- Minimum stream of water volume supplied Q_{min} : 0.15 l/s
- Flow time at the dynamic pressure of 0.1 MPa (1 bar): about 8 sec