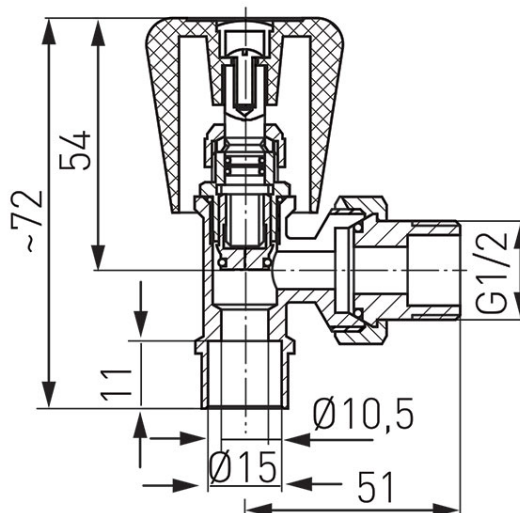


**Code: ZG5LY**

1/2" angle radiator valve for soldering with gland

<https://www.ferrocompany.com/product-4217-ZG5LY.html>Individual packaging: **12**Collective packaging: **144**

- Utility Valves:
  - water
- max. working temperature: 100°C
- max. working pressure: 1.0 MPa (10 bar)