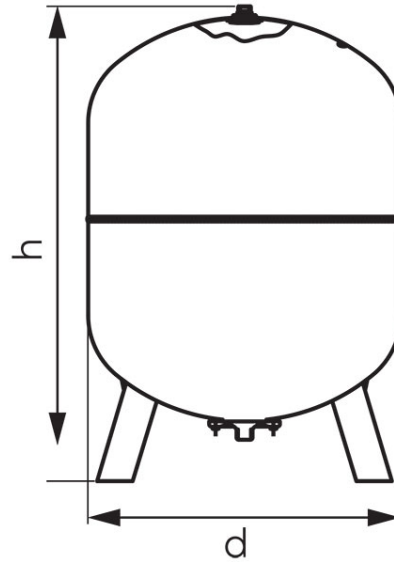


Code: CO

Vessels for heating system – standing

<https://www.ferrocompany.com/product-4110-CO.html>Individual packaging: **1, package with bar code allowing for retail sale**

Collective packaging: -



- warranty: 2 years
- max. working pressure: 8 bar
- precharge pressure: 1.5 bar
- working temperature: from -10°C to +100°C
- membrane (replaceable): EPDM
- colour: RAL 3000

Code	Model	h [mm]	d [mm]	Connection	Volume [l]	Individ. pack.	Collect. pack.
CO200S	RV200	1081	600	1"	200	1	-
CO250S	RV250	1051	650	1"	250	1	-
CO300S	RV300	1212	650	1"	300	1	-
CO400S	RV400	1198	750	1 1/4"	400	1	-
CO500S	RV500	1438	750	1 1/4"	500	1	-