

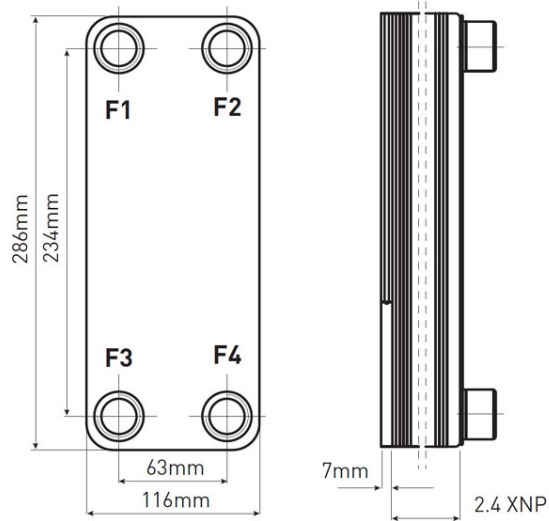
Code: **IC9TH**

1" exchangers with insulation for systems with a thermo fireplace or solid fuel boiler

<https://www.ferrocompany.com/product-4087-IC9TH.html>

Individual packaging: **1, package with bar code allowing for retail sale**

Collective packaginig: -



- liquids: up to 40% glycol solution
- Application:
  - central heating systems
  - thermal chimney
  - solid fuel boilers
  - hot water systems
  - solar system
- Characteristics:
  - flow rate: 12 m<sup>3</sup>/h (max)
  - working pressure: 30 bar (max)
  - working temperature: 220°C (max)
  - testing pressure: 45 bar
  - connection: 1"

Index	Power range [kW]	Heat source side [°C]	Installation side [°C]	Individ. pack.	Bulk pack.
IC9THx15	15-20	90/70	50/70	1	-
IC9THx20	20-30	85/65	45/65	1	-
IC9THx30	30-45	80/60	40/60	1	-