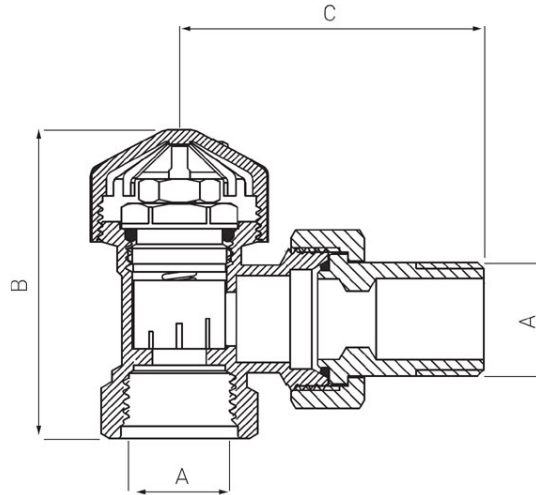
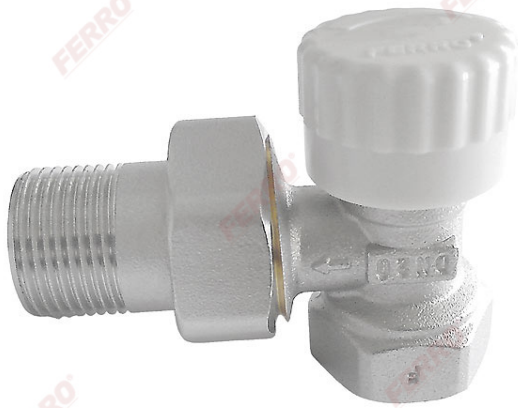


Code: **ZT**

Thermostatic angle valve

<https://www.ferrocompany.com/product-3844-ZT.html>



- **10 years warranty**
- maximum allowable static pressure: 1MPa
- maximum allowable pressure difference: 0,06MPa
- maximum working temperature: 100°C
- head connecting thread: M30x1,5

Index	DN	A	B [mm]	C [mm]	Nominal flow q_{mN}^3	Pressure difference impact	Pre-setting regulation	Individ. pack.	Bulk pack.	R*	E*
ZT5Y	15	Rp 1/2	44	85	0,140m ³ /h	0,6K	Tak	10	120	-	ZT5YE
ZT5YS	15	Rp 1/2	44	85	0,153 m ³ /h	0,3K	Nie	10	120	ZT5YSW	-
ZT6Y	20	Rp 3/4	45,5	100	0,181m ³ /h	0,6K	Tak	9	81	-	ZT6YE

***R - Product in individual packaging with EAN code enabling retail sale.**

***E - Products on euro-slot with barcode enabling retail sale.**