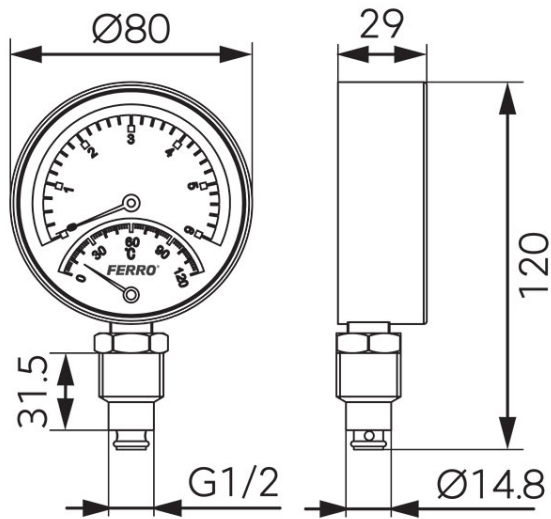


**Code: TM80R**

Thermomanometer

<https://www.ferrocompany.com/product-3841-TM80R.html>Individual packaging: **1, package with bar code allowing for retail sale**Collective packaging: **60**

- casing: high resistance ABS
- cover: scratch-resistant plastic
- dial: powder-coated aluminium
- mechanism:
  - pressure gauge - Bourdon tube spring
  - thermometer - bimetallic spiral
- 1/2" brass side connector
- temperature range: 0 - 120°C
- pressure range: 0 - 6 bar
- dial diameter: 80 mm