

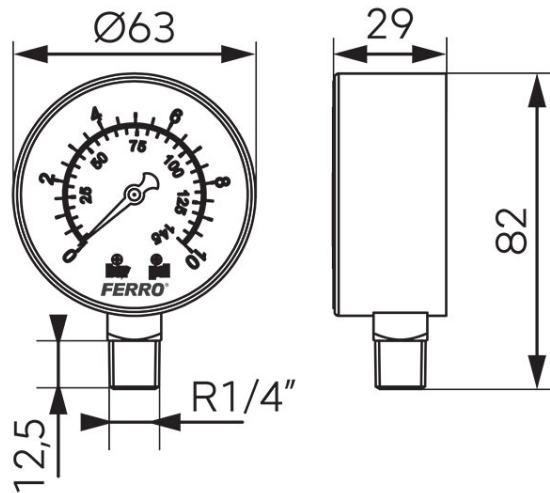
Code: **M6310R**

Pressure gauge

<https://www.ferrocompany.com/product-3837-M6310R.html>

Individual packaging: **1, package with bar code allowing for retail sale**

Collective packaging: **120**



- casing: high resistance ABS
- cover: scratch-resistant plastic
- dial: powder-coated aluminium
- type: pressure gauge with Bourdon tube spring
- dial diameter: 63 mm
- range: 0 - 10 bar
- connection: 1/4" brass - side connection