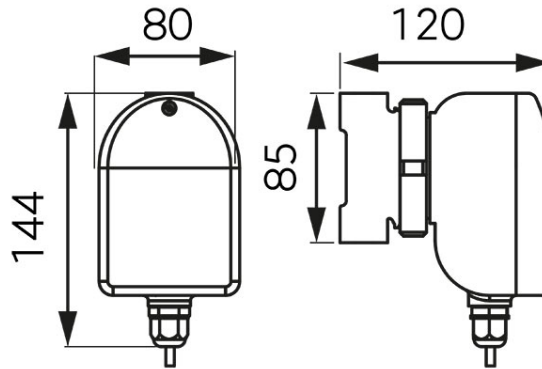


Code: 0101W

CP 15-1.5 drinking water circulation pump

<https://www.ferrocompany.com/product-3726-0101W.html>Individual packaging: **1, package with bar code allowing for retail sale**Collective packaging: **8**

- Operating range: 0.1 - 0.7 m³/h
- Lifting height: max. 1.3 m
- Liquid temperature: min. +2°C, max. +95°C
- Application: intended for drinking water only
- Maximum pressure: 10 bar
- Protection class: IP 42
- Insulation class: F
- Voltage: 50-60 Hz, ~230 V
- Power consumption: 28 W
- Connection spacing: 85 mm
- Connection: G1/2
- Ambient temperature: min. +2°C, max. +40°C