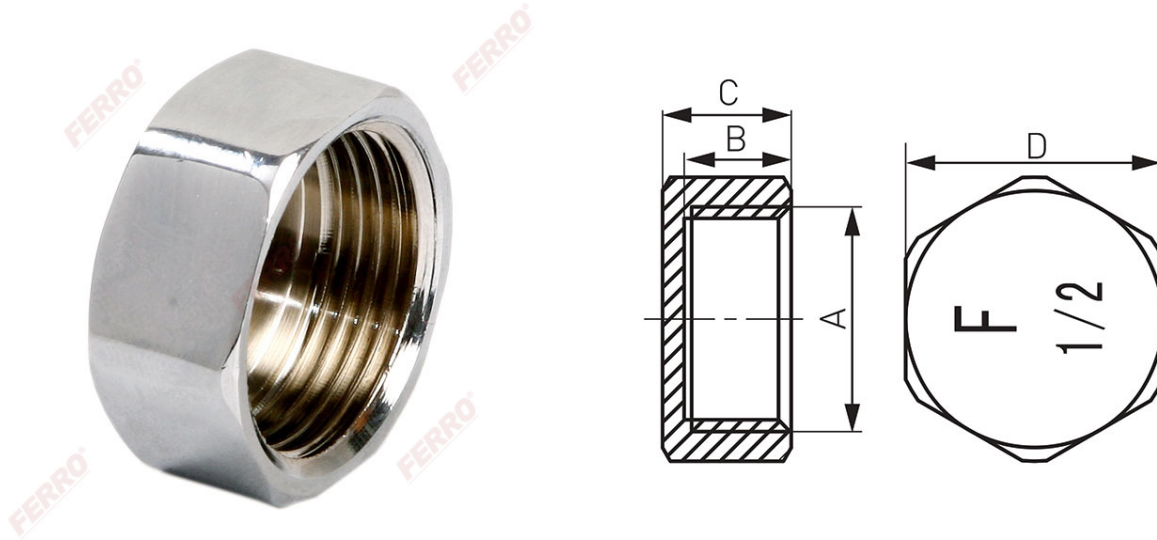


Code: **ZAS**

Cap

<https://www.ferrocompany.com/product-3639-ZAS.html>Individual packaging: **1, package with bar code allowing for retail sale**

Code	A	B [mm]	C [mm]	D [mm]	K [mm]	Individ. pack.	Collect. pack.	R*
ZAS2C	G1/2	9	18	23	10	1	25	ZAS2C
ZAS3C	G3/4	11	20	30	13	1	10	ZAS3C

**\*R - package with bar code allowing for retail sale**