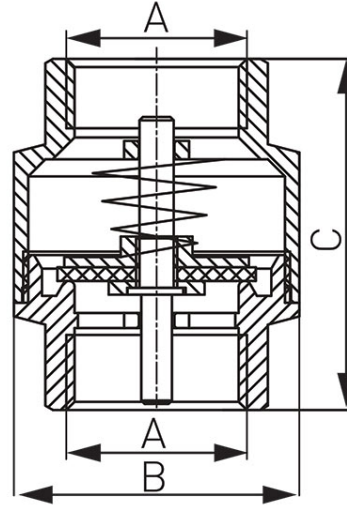


Code: **ZZM**

Check valve with brass closing element

<https://www.ferrocompany.com/product-3627-ZZM.html>



- NICKEL FREE - all product elements which may have contact with potable water are not covered with nickel
- media valves:
 - water
- female - female
- body and closing element: brass
- nominal pressure: 1.0 MPa (10 bar)
- max. working temperature: 100°C

Index	DN	A	B [mm]	C [mm]	Individ. pack.	Bulk pack.	R*	E*
ZZM1	15	G1/2	35,5	46,8	30	270	ZZM1W	ZZM1E
ZZM2	20	G3/4	41,7	51,4	20	180	ZZM2W	ZZM2E
ZZM3	25	G1	47,2	59,5	10	120	ZZM3W	ZZM3E
ZZM4	32	G1 1/4	59,3	64,5	6	72	ZZM4W	ZZM4E
ZZM5	40	G1 1/2	67,6	73,3	5	45	ZZM5W	-
ZZM6	50	G2	83,7	80,2	4	24	ZZM6W	-

***R - Product in individual packaging with EAN code enabling retail sale.**

***E - Products on euro-slot with barcode enabling retail sale (Eurohanger).**