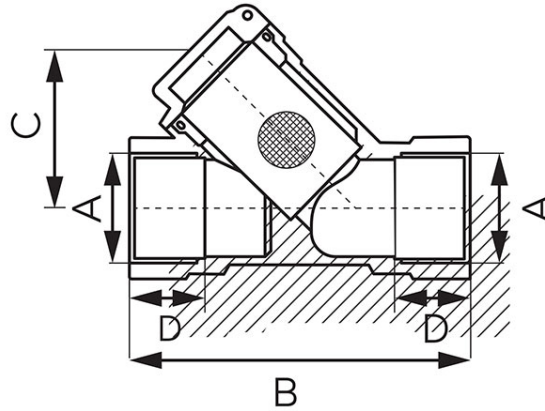


**Code: FxG**

Mesh gas filter - type G41

<https://www.ferrocompany.com/product-3313-FxG.html>

- female - female
- body and plug material: high quality CW617N brass
- plug sealing: NBR
- filter cartridge: AISI 304 stainless steel
- filter cartridge hole diameter:  $0.2 \pm 0.02$  mm
- max. working pressure: MOP 5 (0.5 MPa)
- working temperature: T2 (-20°C to 60°C)

Index	DN	A	B [mm]	C [mm]	D [mm]	Individ. pack.	Bulk pack.
F2G	15	Rp 1/2	67	33,6±1	min. 15,0	12	108
F3G	20	Rp 3/4	80	37,5±1	min. 16,3	8	72
F6G	25	Rp 1	85	45,6±1	min. 19,1	6	54
F4G	32	Rp 5/4	98	54,8±1	min. 21,4	2	18
F5G	40	Rp 6/4	116	58,7±1	min. 21,4	2	18
F7G	50	Rp 2	136	70,7±1	min. 25,7	2	12