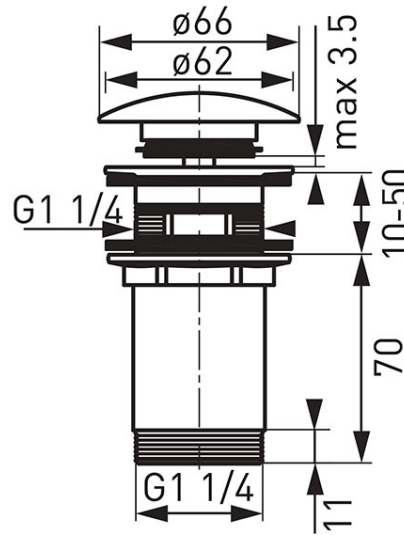


Code: S285

G 1 1/4" overflow washbasin locking Rotondo drain valve

<https://www.ferrocompany.com/product-3072-S285.html>Individual packaging: **1, package with bar code allowing for retail sale**Collective packaging: **8**

- for washbasins with overflow
- made of brass

Box	Blister
S285	S285-B