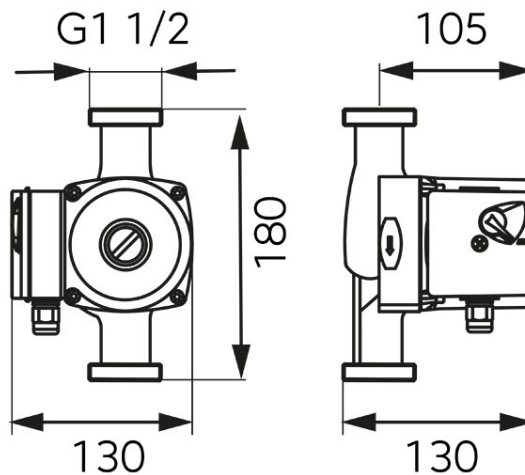


**Code: 0202W**

25-60-180 drinking water circulation pump

<https://www.ferrocompany.com/product-2901-0202W.html>Individual packaging: **1, package with bar code allowing for retail sale**Collective packaging: **8**

- Operating range: 0.2 - 4.5 m<sup>3</sup>/h
- Lifting height: max. 5.5 m
- Liquid temperature: min. +2°C, max. +110°C
- Application: intended exclusively for drinking water
- Maximum pressure: 10 bar
- Protection class: IP 44
- Insulation class: H
- Cable gland: PG 11
- Installation: axel shaft in horizontal position and terminal box located as desired except under the pump
- Voltage: 50-60 Hz, ~230 V
- Power consumption (I,II,III): 55/70/100 W
- Connection spacing: 180 mm
- Connection: G1 1/2
- Ambient temperature: min. +2°C, max. +40°C