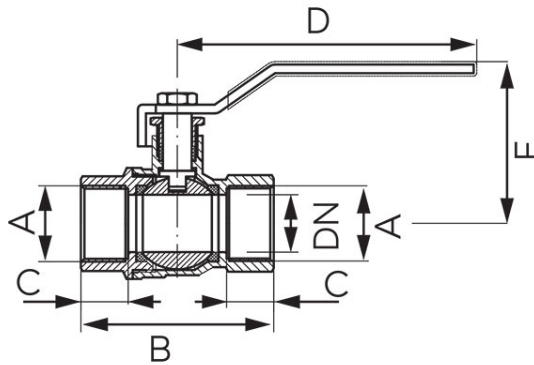


Code: **KPH**

Herkules ball valve type V17

<https://www.ferrocompany.com/product-2878-KPH.html>



- 15 years warranty
- NICKEL FREE - all product elements which may have contact with potable water are not covered with nickel
- media valves:
 - water
 - 50% glycol
 - compressed air
- female - female
- full bore
- reinforced with gland and double stem seal
- handle: metal lever
- body and ball material: brass
- material of ball and stem seals: PTFE
- nominal pressure: 4,0 MPa (40 bar)
- maximum working temperature: 140°C

Index	Size of connectors	DN	A	B [mm]	C [mm]	D [mm]	E [mm]	Individ. pack.	Bulk pack.	R*	E*
KPH1	1/2"	15	Rp 1/2	56	13	~100	49	10	120	KPH1W	KPH1E
KPH2	3/4"	20	Rp 3/4	66	14,5	~102	55	9	81	KPH2W	KPH2E
KPH3	1"	25	Rp 1	76	16,8	~116	64	8	48	KPH3W	KPH3E
KPH4	1 1/4"	32	Rp 1 1/4	86	18	~116	71	4	36	KPH4W	-
KPH5	1 1/2"	40	Rp 1 1/2	94	18	~149	80	2	18	KPH5W	-
KPH6	2"	50	Rp 2	115	23	~149	90	2	12	KPH6W	-

***R - Product in individual packaging with EAN code enabling retail sale.**

***E - Products on euro-slot with barcode enabling retail sale (Eurohanger).**