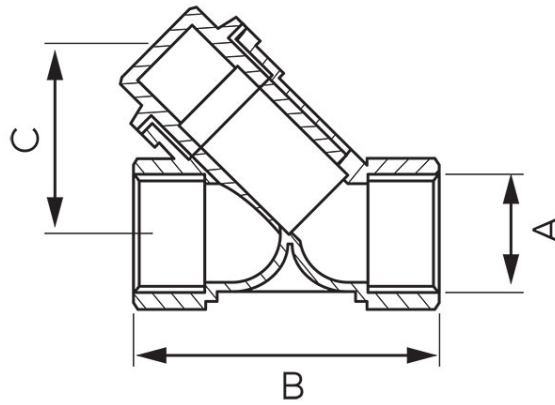


Code: **Fxx**

Sediment central heating filter

<https://www.ferrocompany.com/product-2233-Fxx.html>



- NICKEL FREE - all product elements which may have contact with potable water are not covered with nickel
- media valves:
  - water
- female - female
- body: brass
- filter: stainless steel
- nominal pressure: 1.0 MPa (10 bar)
- max. working temperature: 100°C

Index	DN	A	B [mm]	C [mm]	Individ. pack.	Bulk pack.	R*	E*
F02	15	G1/2	54	33,5	15	180		<b>F02E</b>
F03	20	G3/4	70	56,5	10	120		<b>F03E</b>
F06	25	G1	84	44,5	10	90		<b>F06E</b>
F04	32	G1 1/4	98	75	4	36		
F05	40	G1 1/2	110	82	2	24		
F07	50	G 2	128	93	2	12		
F08	65	G2 1/2	143	128	1	12		<b>F08</b>
F09	80	G3	160	152	1	6		<b>F09</b>
F10	100	G4	182	175	1	4		<b>F10</b>

**\*R - Product in individual packaging with EAN code enabling retail sale.**

**\*E - Products on euro-slot with barcode enabling retail sale (Eurohanger).**