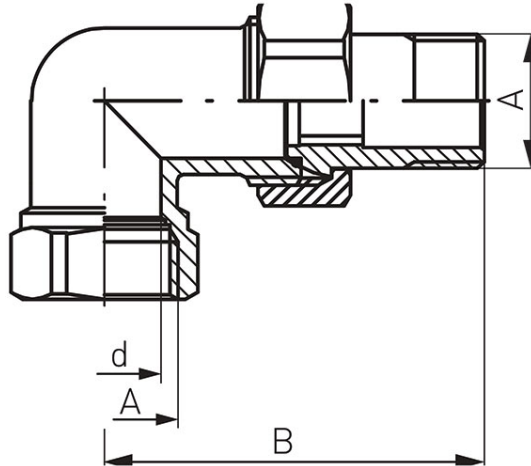


Code: SGC

Angle pipe union with O-ring

<https://www.ferrocompany.com/product-2228-SGC.html>Individual packaging: **1, package with bar code allowing for retail sale**

- chrome plated

Code	Size of connectors	DN	A	B [mm]	Individ. pack.	Collect. pack.	R*
SGC4	3/8"	14,8	G3/8	41,5	1	200	SGC4
SGC5	1/2"	18,2	G1/2	45,7	1	140	SGC5
SGC6	3/4"	24,2	G3/4	50,5	1	80	SGC6
SGC8	1"	29,5	G1	59	1	45	SGC8
SGC10	1 1/4"	35	G5/4	64	1	25	SGC10

***R - package with bar code allowing for retail sale**