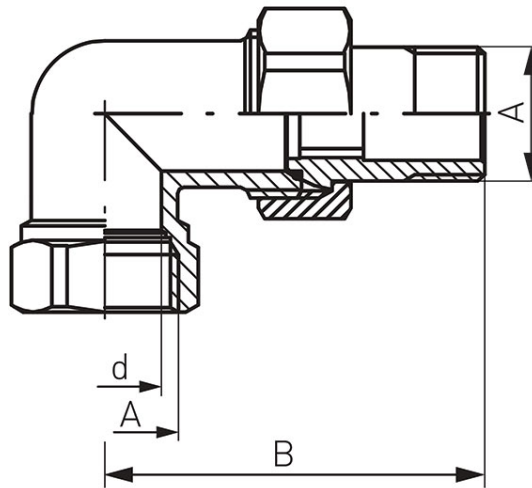


Code: SGU

Angle pipe union with O-ring

<https://www.ferrocompany.com/product-2226-SGU.html>Individual packaging: **1, package with bar code allowing for retail sale**

| Code | Size of connectors | DN | A | B [mm] | Individ. pack. | Collect. pack. | R* |
|-------|--------------------|------|--------|--------|----------------|----------------|-------|
| SGU4 | 3/8" | 14,8 | G3/8 | 47 | 1 | 200 | SGU4 |
| SGU5 | 1/2" | 15,2 | G1/2 | 52,2 | 1 | 140 | SGU5 |
| SGU6 | 3/4" | 21,2 | G3/4 | 59 | 1 | 80 | SGU6 |
| SGU8 | 1" | 28,1 | G1 | 72 | 1 | 45 | SGU8 |
| SGU10 | 1 1/4" | 35 | G1 1/4 | 81,2 | 1 | 25 | SGU10 |

***R - package with bar code allowing for retail sale**