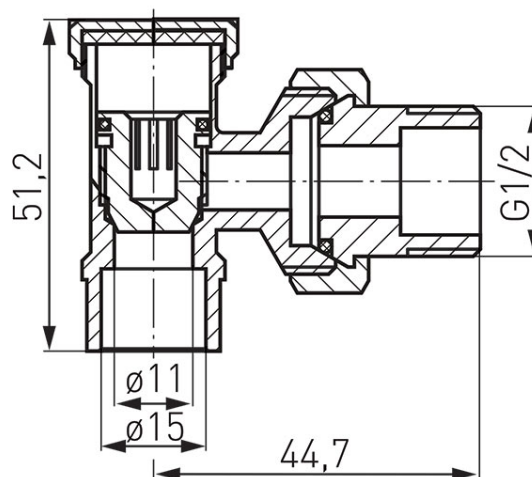
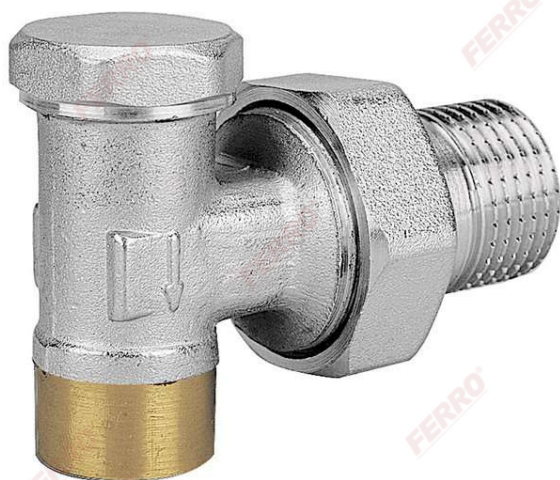


Code: ZK2LY

1/2" angle cut-off radiator valve for soldering

<https://www.ferrocompany.com/product-2213-ZK2LY.html>Individual packaging: **16**Collective packaginig: **192**

- Utility Valves:
 - water
- max. working temperature: 100°C
- max. working pressure: 1.0 MPa (10 bar)