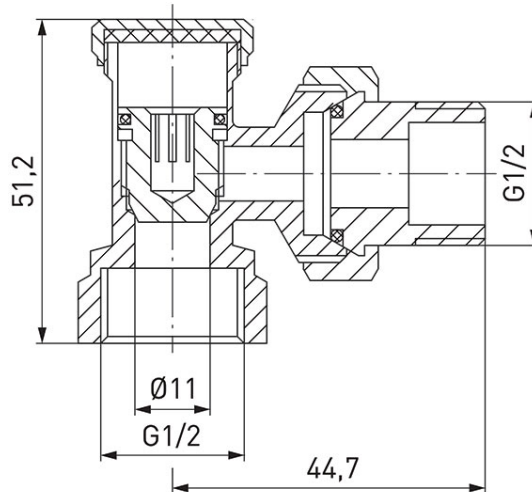


Code: ZK2Y

1/2" angle cut-off radiator valve

<https://www.ferrocompany.com/product-2211-ZK2Y.html>Individual packaging: **16**Collective packaginig: **192**

- nominal pressure: 1.0 MPa (10 bar)
- max. working temperature: 100°C

Index	Individ. pack.	Bulk pack.	R*	E*
ZK2Y	16	192	ZK2YW	ZK2YE

R - Product in individual packaging with EAN code enabling retail sale.**E - Products on euro-slot with barcode enabling retail sale.**