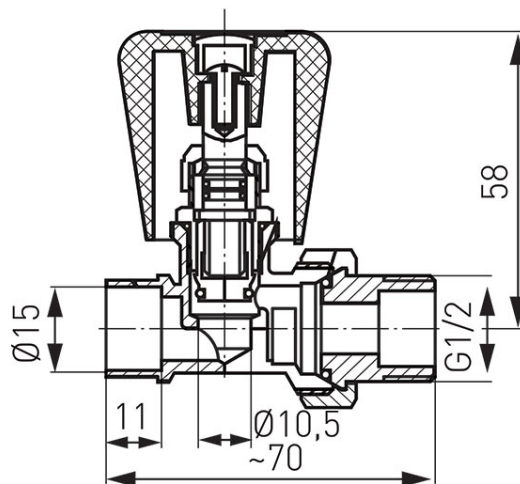
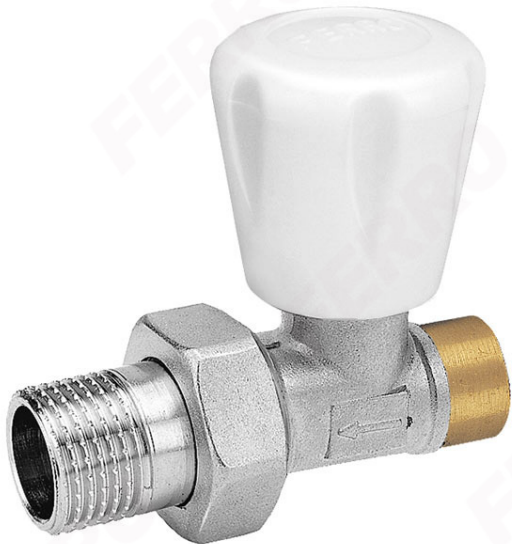


Code: ZG2LY

1/2" straight radiator valve for soldering with gland

<https://www.ferrocompany.com/product-2204-ZG2LY.html>Individual packaging: **12**Collective packaging: **144**

- Utility Valves:
 - water
- max. working temperature: 100°C
- max. working pressure: 1.0 MPa (10 bar)