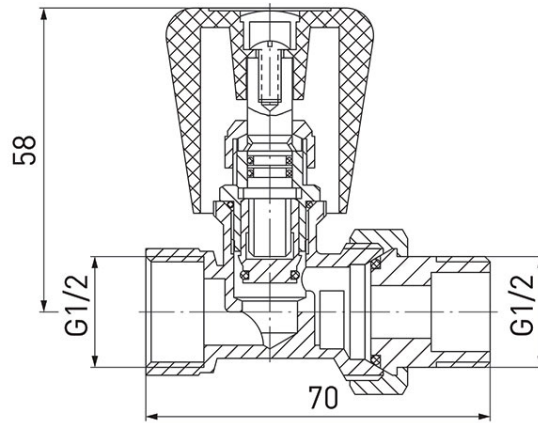


Code: ZG2Y

Straight radiator valve 1/2" with gland

<https://www.ferrocompany.com/product-2202-ZG2Y.html>Individual packaging: **12**Collective packaginig: **144**

- nominal pressure: 1.0 MPa (10 bar)
- max. working temperature: 100°C

Code	Individ. pack.	Collect. pack.	R*	E*
ZG2Y	12	144	ZG2YW	ZG2YE

R - Product in individual packaging with EAN code enabling retail sale.**E - Products on euro-slot with barcode enabling retail sale.**