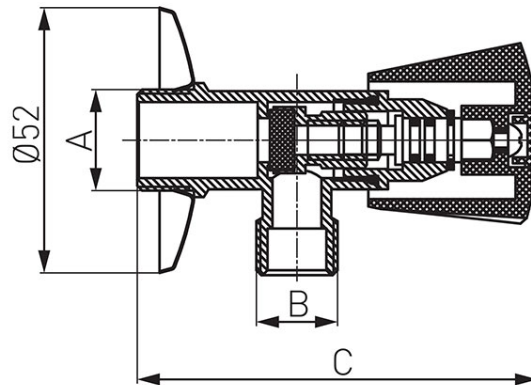


Code: **Z2***

Intake angle poppet valve

<https://www.ferrocompany.com/product-2198-Z2.html>Individual packaging: **1, package with bar code allowing for retail sale**Collective packaging: **100**

- Utility Valves:
 - water
- maximum temperature: 100°C
- maximum pressure: 1.0 MPa (10 bar)

Code	Valve	A	B	C [mm]	Individ. pack.	Collect. pack.
Z240	1/2" x 3/8" with connection to Ø10 mm copper pipe	G1/2	G3/8	81,5	1	100
Z241	1/2" x 3/8"	G1/2	G3/8	81,5	1	100
Z220	1/2" x 1/2"	G1/2	G1/2	81,5	1	100
Z230	1/2" x 3/4"	G1/2	G3/4	81,5	1	100