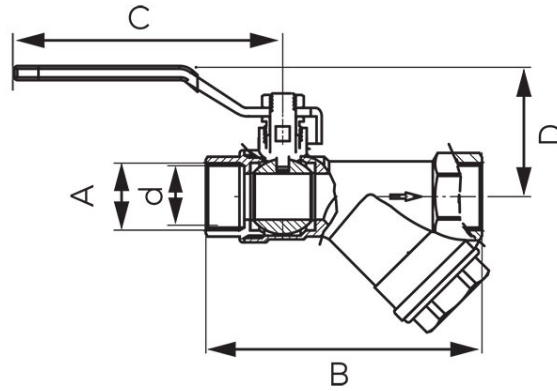
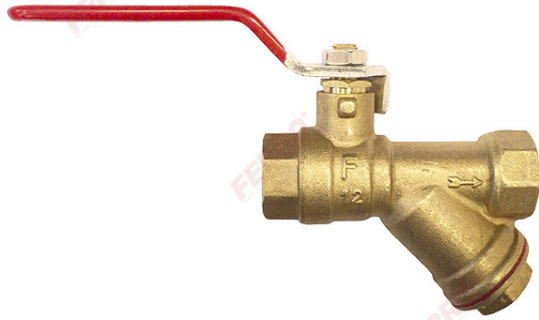


Code: **KZF**

Ball valve with filter

<https://www.ferrocompany.com/product-2193-KZF.html>



Available to the end of existing stock.

- NICKEL FREE - all product elements which may have contact with potable water are not covered with nickel
- media valves:
 - water
- female - female
- with stainless steel filter
- with gland
- handle: metal lever
- body and ball material: brass
- ball and stem seal: PTFE
- nominal pressure: 1.6 MPa (16 bar)
- maximum working temperature: 100°C

Index	Size of connectors	DN	d [mm]	A	B [mm]	C [mm]	D [mm]	Kvs [m ³ /h]	Individ. pack.	Bulk pack.
KZF1	1/2"	15	15	G1/2	75,5	85	42,2	6	8	96
KZF2	3/4"	20	19	G3/4	96,5	85	45,7	13	10	60
KZF4	1 1/4"	32	31	G1 1/4	127,6	111	62,7	32	2	18