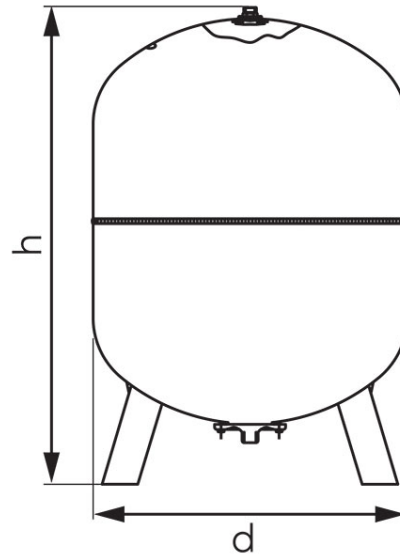


Code: CWU

Sanitary water vessels - standing

<https://www.ferrocompany.com/product-4114-CWU.html>Individual packaging: **1, package with bar code allowing for retail sale**

Collective packaging: -



- warranty: 2 years
- max. working operating pressure: 10 bar
- pre-pressure: 1.5 bar
- for AV200 and AV300 models: 2 bar
- working temperature: from -10°C to +100°C
- membrane (replaceable): EPDM
- colour: RAL 5015

Code	Model	h [mm]	d [mm]	Connection	Volume [l]	Individ. pack.	Collect. pack.
CWU50S	AV50	720	365	1"	50	1	20
CWU60S	AV60	808	365	1"	60	1	20
CWU80S	AV80	856	410	1"	80	1	20
CWU100S	AV100	855	495	1"	100	1	16
CWU150S	AV150	975	550	1"	150	1	6
CWU200S	AV200	1085	600	1 1/4"	200	1	6
CWU300S	AV300	1240	650	1 1/4"	300	1	6